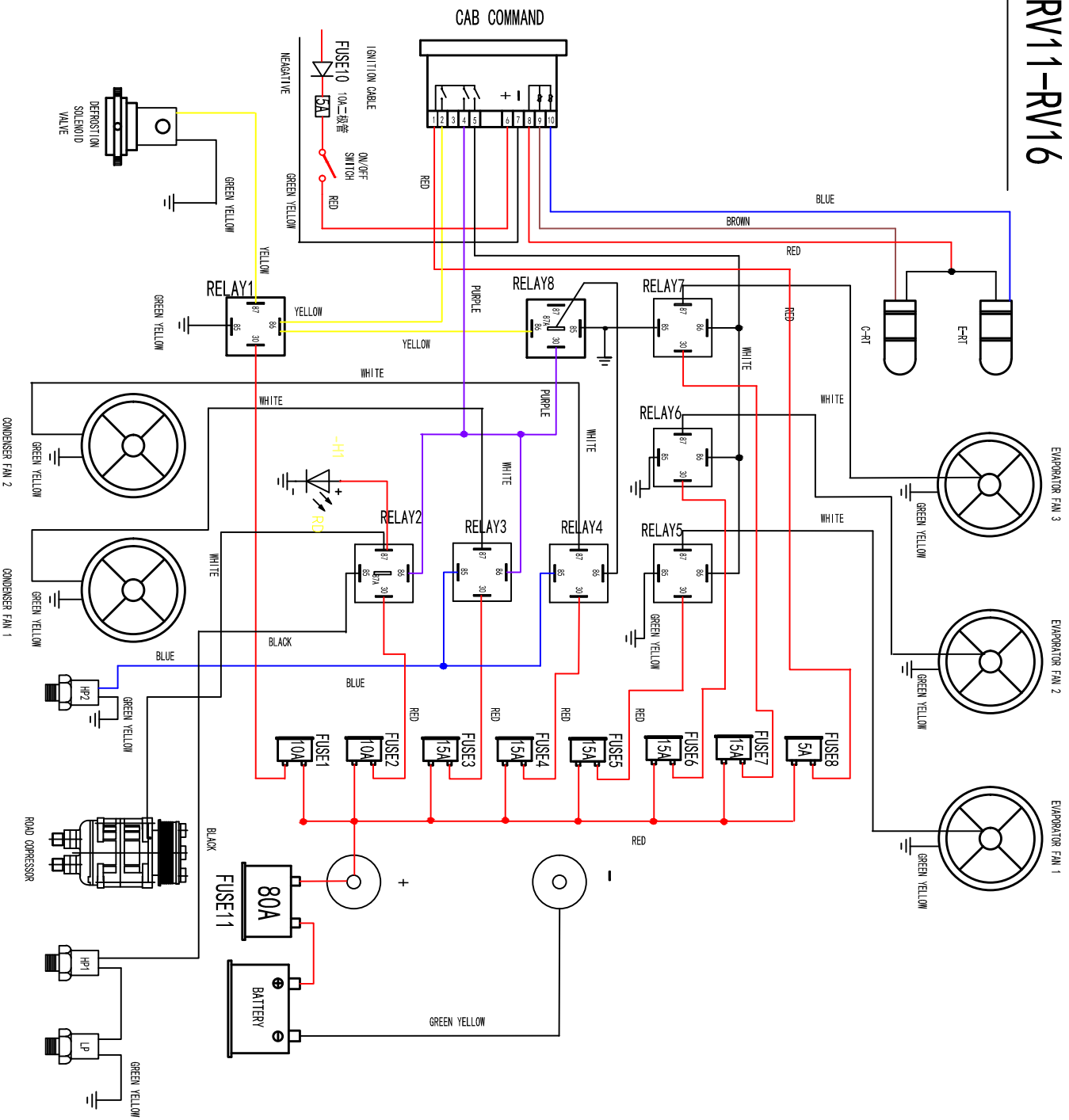


RV11-RV16



NO.	COMPONENT NAME	NO.	COMPONENT NAME	NO.	COMPONENT NAME
RELAY1	DEFROST RELAY	RELAY5	EVAPORATOR FAN1 RELAY	FUSE1	DEFROST FUSE
RELAY2	COMPRESSOR RELAY	RELAY6	EVAPORATOR FAN2 RELAY	FUSE2	COMPRESSOR FUSE
RELAY3	CONDENSER FAN1 RELAY	RELAY7	EVAPORATOR FAN3 RELAY	FUSE3	CONDENSER FAN1 FUSE
RELAY4	CONDENSER FAN2 RELAY	RELAY8	DEFROST SIGNAL RELAY FOR CONDENSER FAN	FUSE4	CONDENSER FAN2 FUSE
FUSE5	EVAPORATOR FAN1 FUSE	FUSE9	CAB COMMAND FUSE	LP	LOW PRESSURE CUT OUT SWITCH(2.9PSI/29PSI)
FUSE6	EVAPORATOR FAN2 FUSE	FUSE10	MAIN FUSE	HP1	HIGH PRESSURE OUT SWITCH(150psi)
FUSE7	EVAPORATOR FAN3 FUSE	C-RT	AIR RETURN SENSOR	HP2	OUT OUT SWITCH
FUSE8	CAB COMMAND FUSE	E-RT	SUCTION TEMP SENSOR	HP2	FAN PRESSURE SWITCH(130PSI/180PSI)