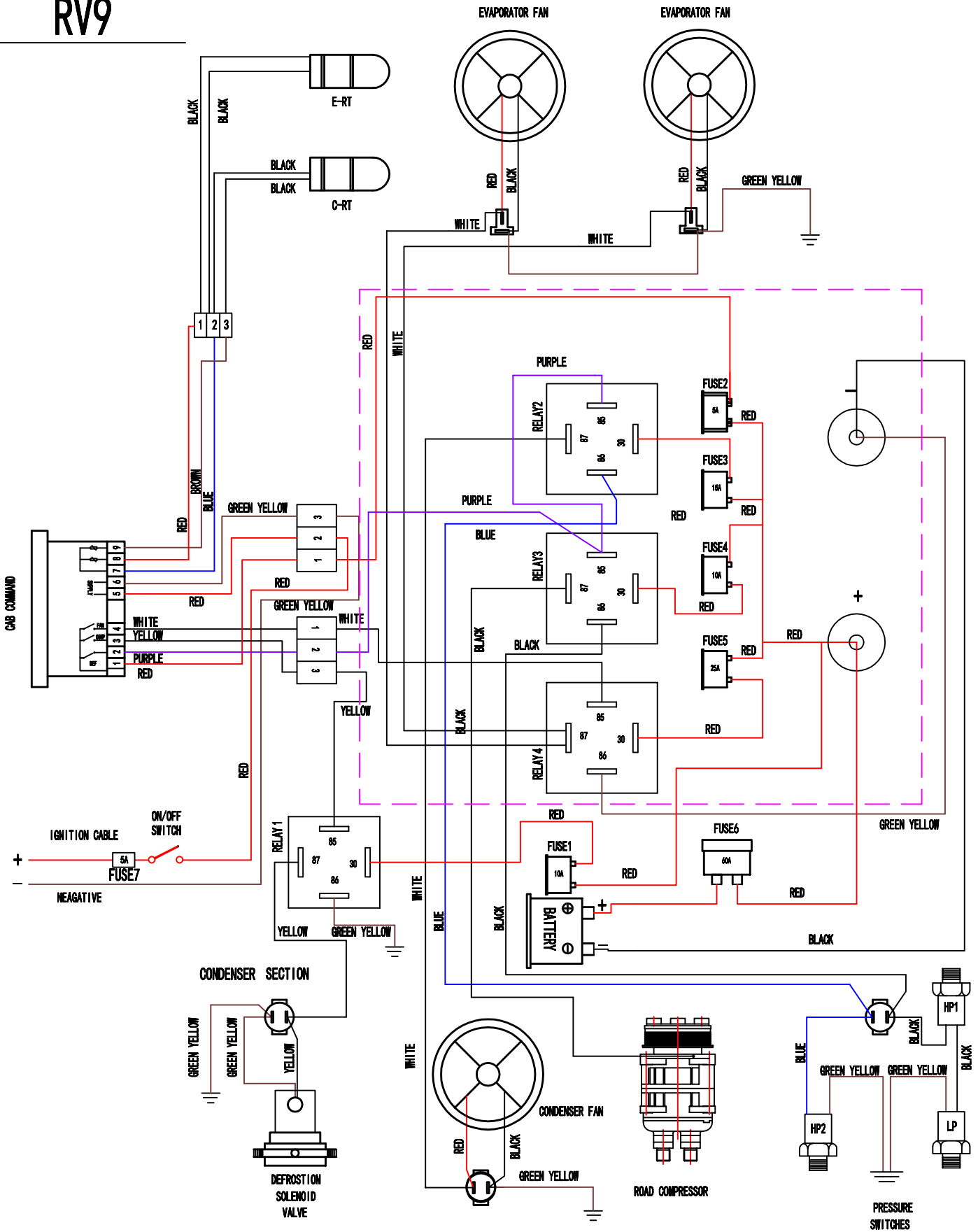


RV9



NO.	COMPONENT NAME	NO.	COMPONENT NAME	NO.	COMPONENT NAME
RELAY1	DEFROST RELAY	FUSE3	CONDENSER FAN FUSE	E-RT	SUCTION TEMP SENSOR
RELAY2	CONDENSER FAN RELAY	FUSE4	COMPRESSOR FUSE	LP	LOW PRESSURE CUT OUT SWITCH[2.9/29(PSI)]
RELAY3	COMPRESSOR RELAY	FUSE5	EVAPORATOR FAN FUSE	HP1	HIGH PRESSURE CUT OUT SWITCH[362.5/464(PSI)]
RELAY4	EVAPORATOR FAN RELAY	FUSE6	MAIN FUSE	HP2	FAN PRESSURE SWITCH[246.5/362.5(PSI)]
FUSE1	DEFROST FUSE	FUSE7	CAB COMMOND FUSE		
FUSE2	CAB COMMOND FUSE	C-RT	AIR RENTURN SENSOR		