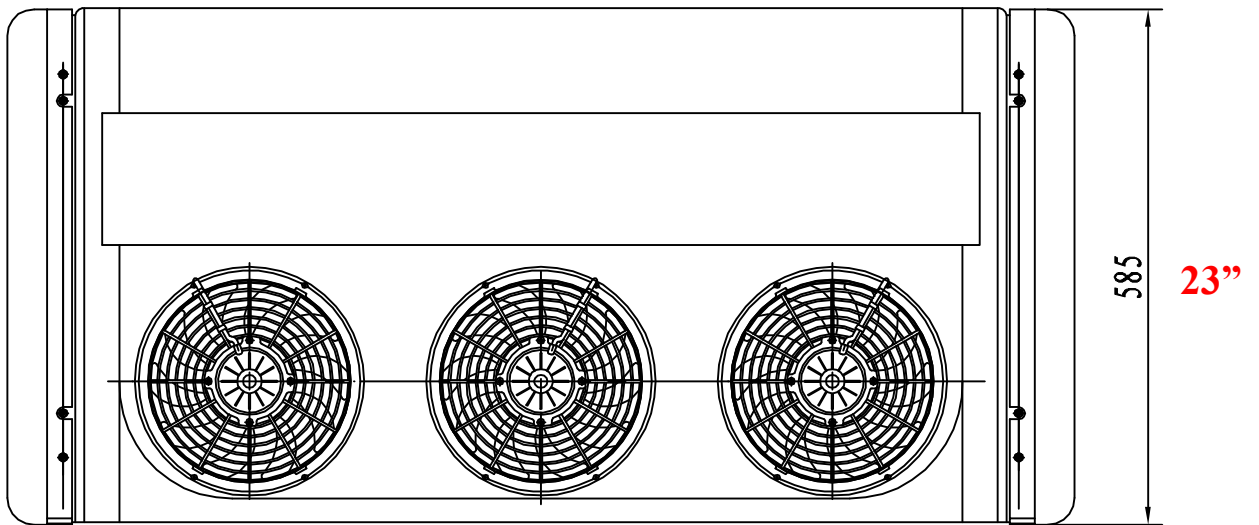
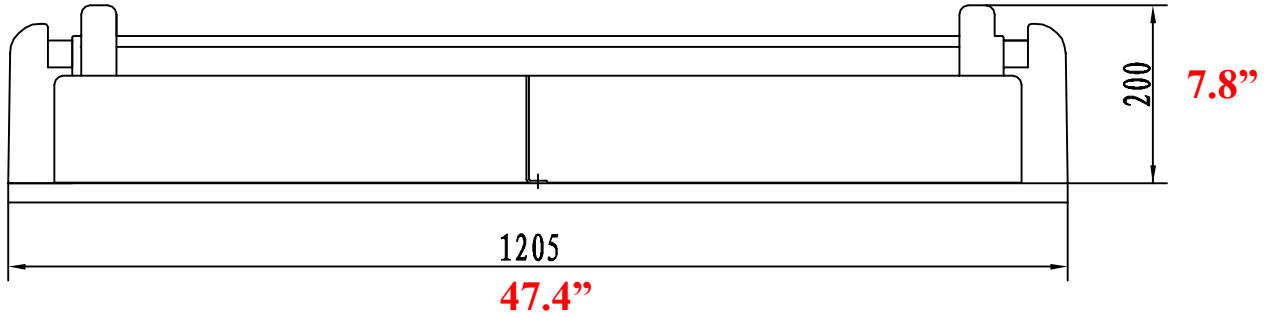


### DIMENSIONS OF EVAPORATOR AND COVER



### FIXING POINTS

